

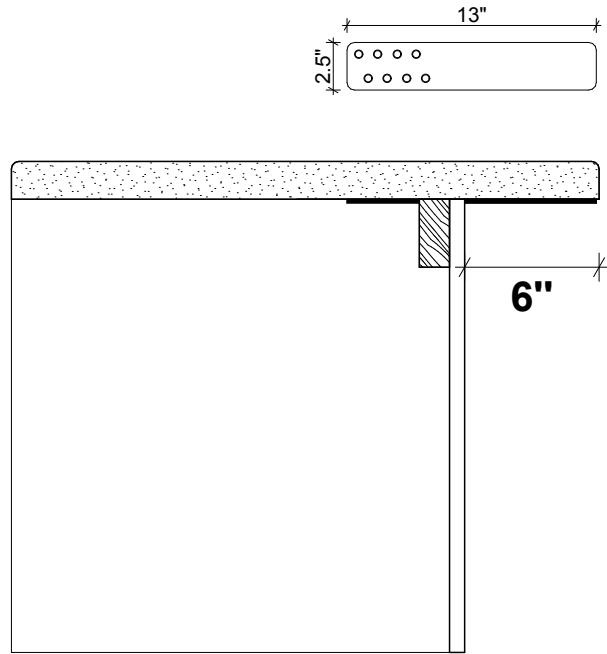


Installation Sheets

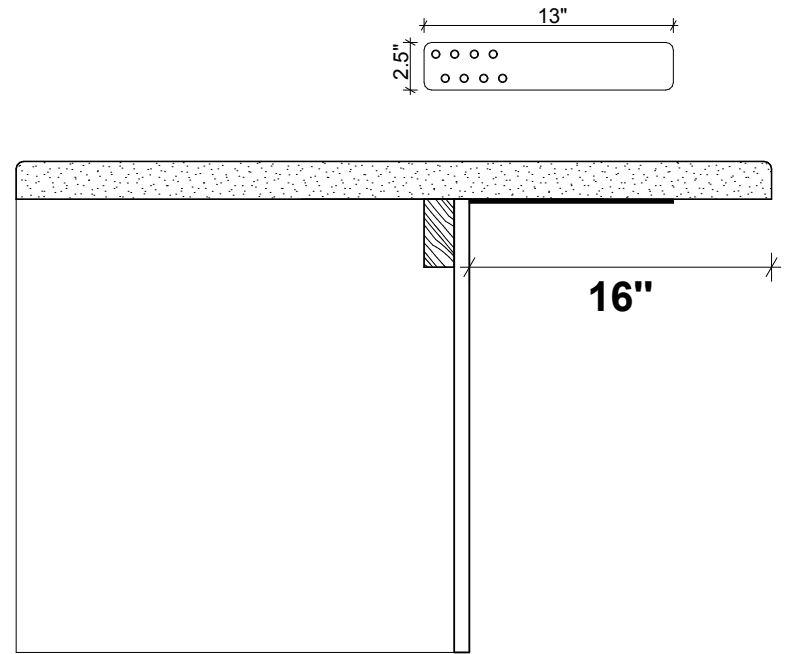
- 1) I-Brace 13 Guidelines
- 2) I-Brace 13 Instructions
- 3) I-Brace 20 Guidelines
- 4) I-Brace 20 Instructions
- 5) L-Brace 10 Guidelines
- 6) L-Brace 10 Instructions
- 7) L-Brace 15 Guidelines
- 8) L-Brace 15 Instructions
- 9) UpperBrace 10 Guidelines
- 10) UpperBrace 10 Instructions
- 11) UpperBrace 15 Guidelines
- 12) UpperBrace 15 Instructions

Visit us online @ InnoTops.com

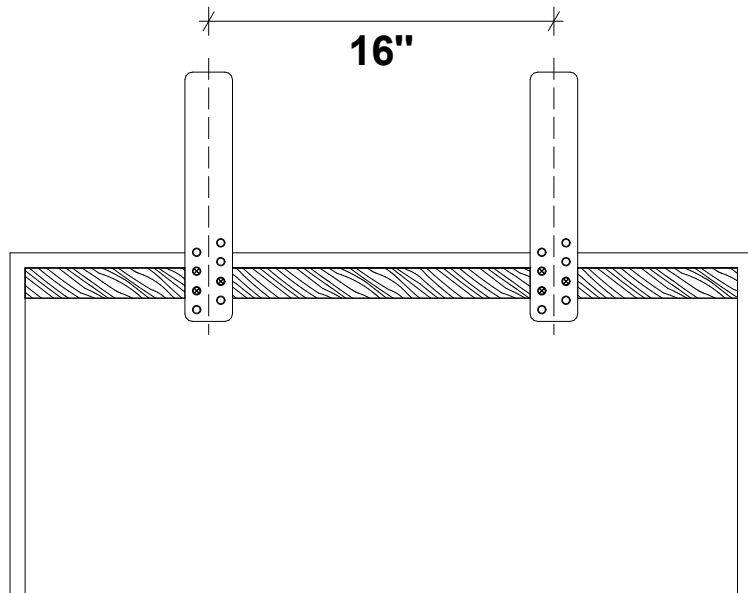
Minimum Overhang: 6"



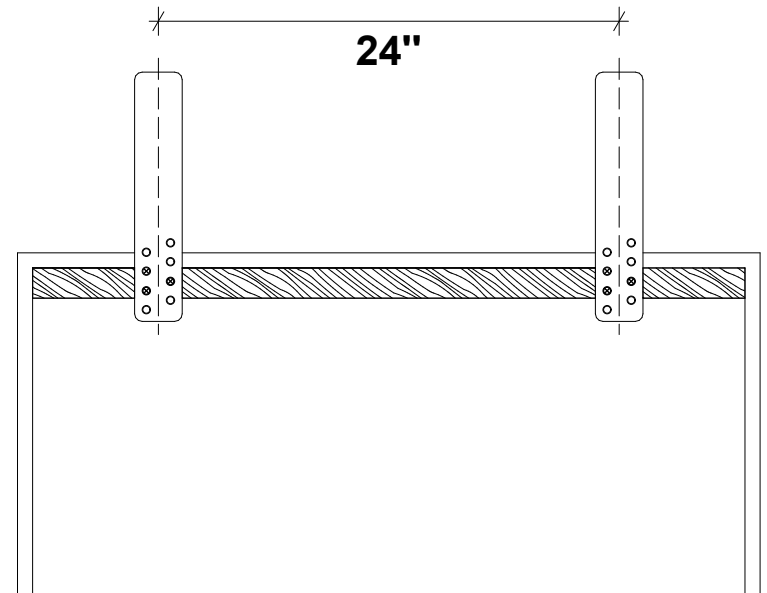
Maximum Overhang: 16"



Recommended Spacing: 16" centers

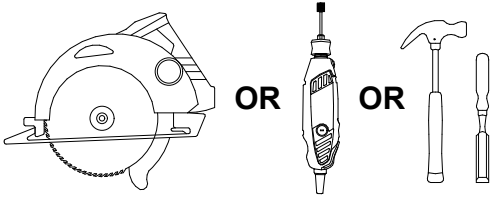
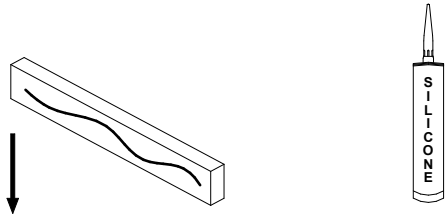
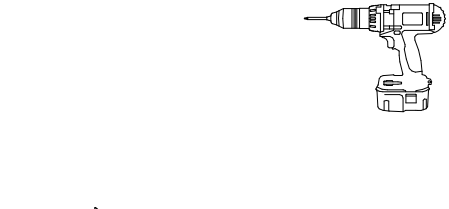
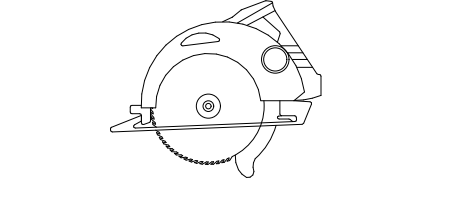

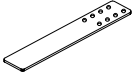
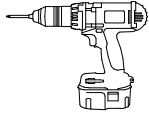
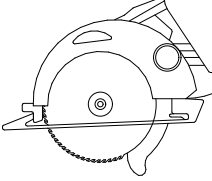
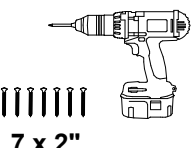
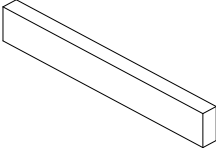
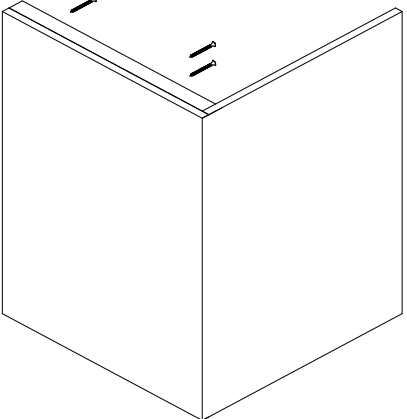
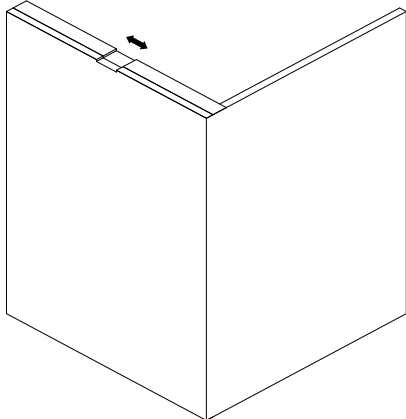
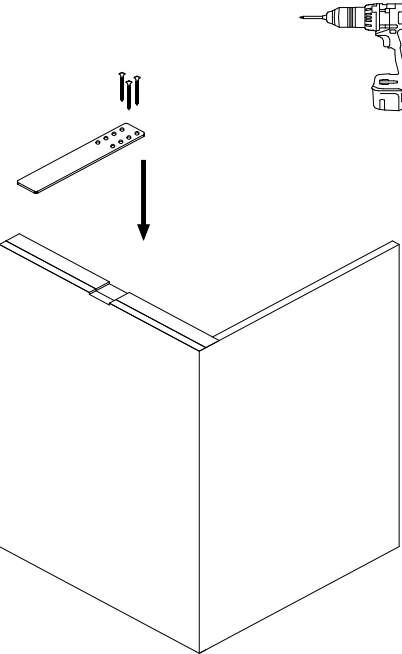
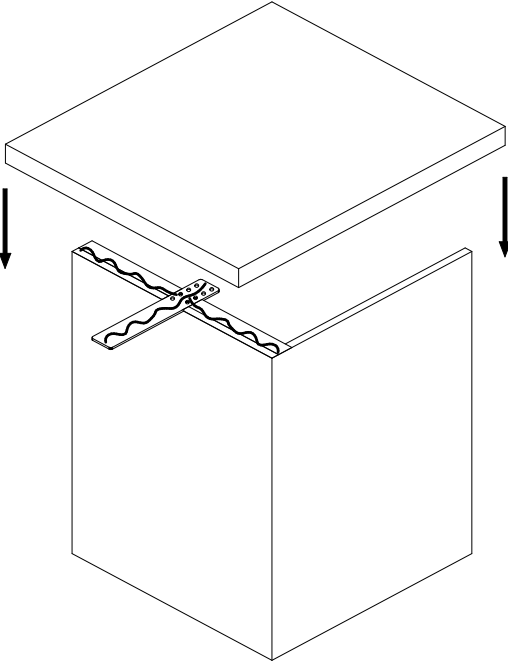
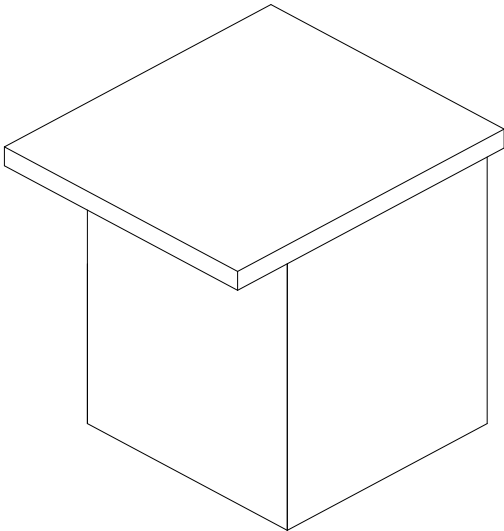


Maximum Spacing: 24" centers

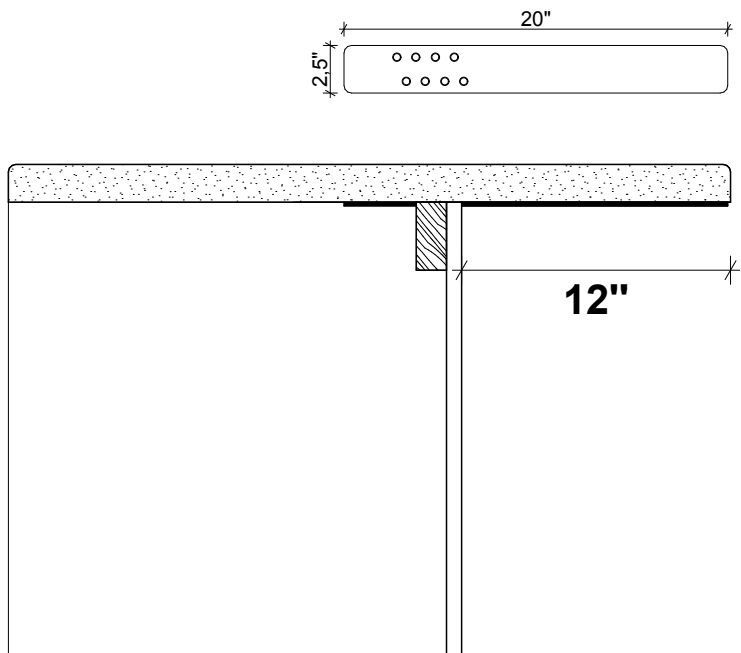


INNOTOPS

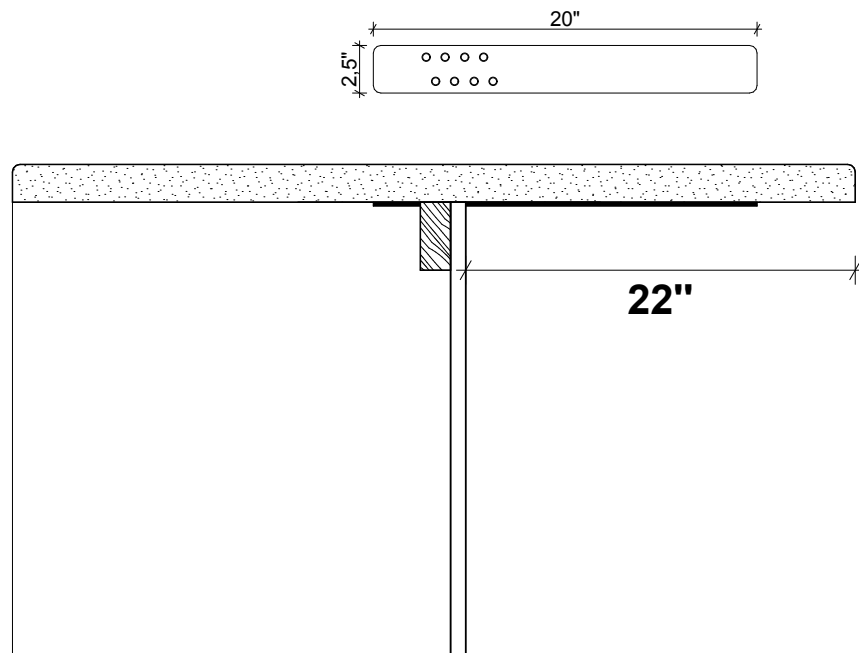
I-Brace 13

TOOLS and MATERIALS	1 ATTACH 2x4 TO CABINET PANEL TO INCREASE ITS STRENGTH	2 SECURE 2X4 WITH SCREWS	3 NOTCH WOOD 3/16" DEEP, 2.5" WIDE
 <p>OR OR</p>			
			
 <p>7 x 2"</p>			
4 SECURE I-BRACE WITH 3 SCREWS	5 PLACE SILICONE ON I-BRACE AND CABINET	6 SET STONE IN PLACE AND CHECK FOR LEVEL	
			
		INNOTOPS I-Brace 13	

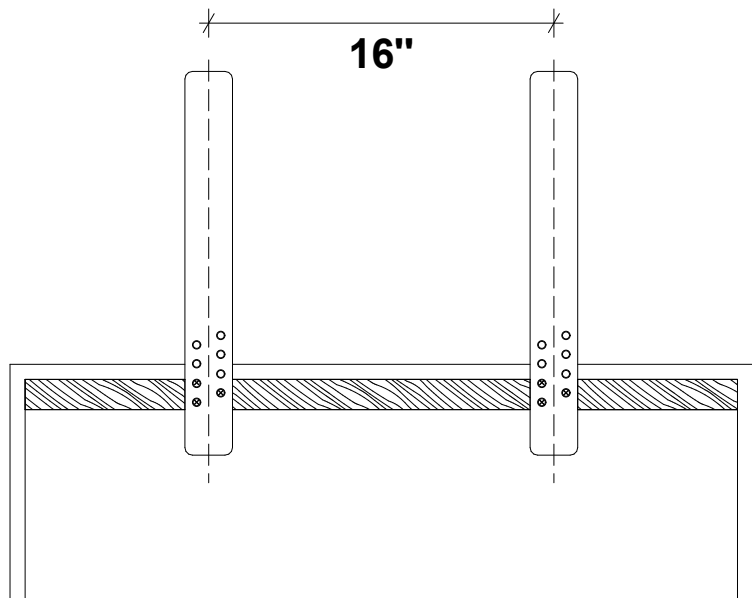
Minimum Overhang: 12"



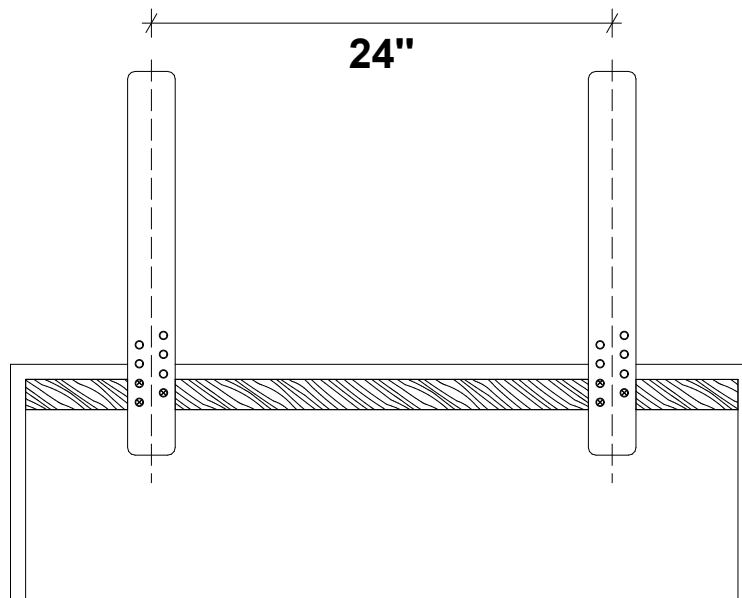
Maximum Overhang: 22"



Recommended Spacing: 16" centers

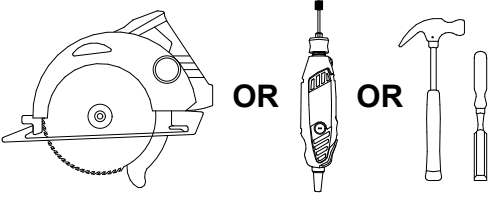
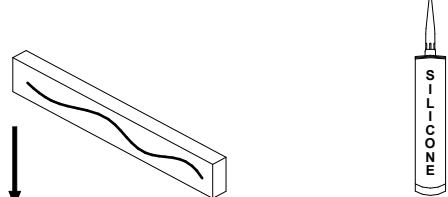
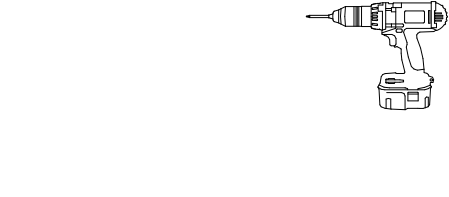
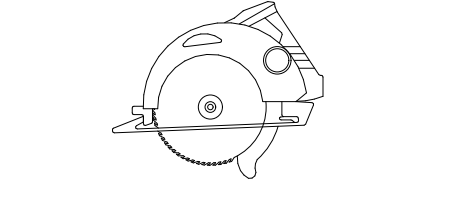

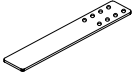
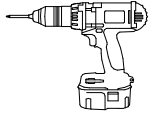
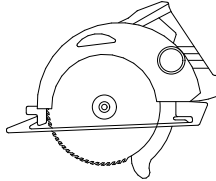
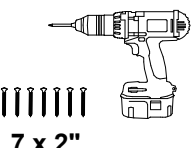
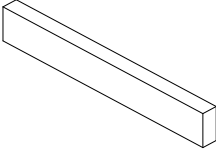
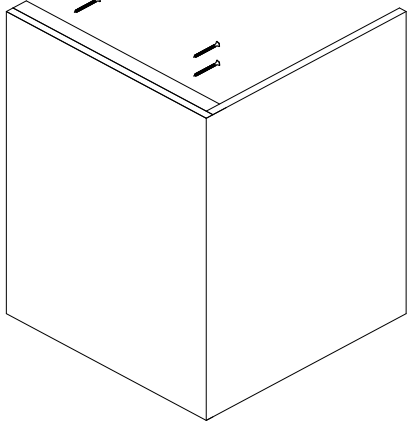
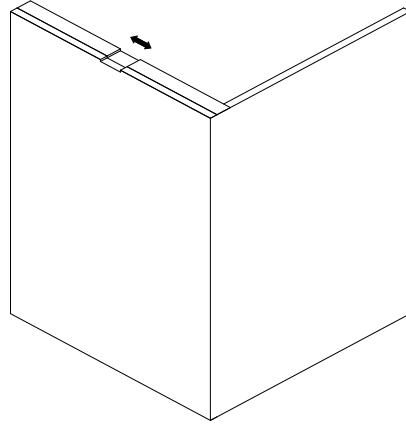
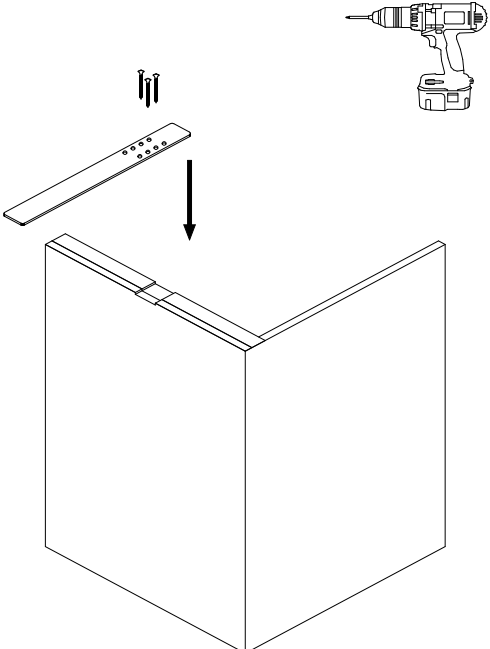
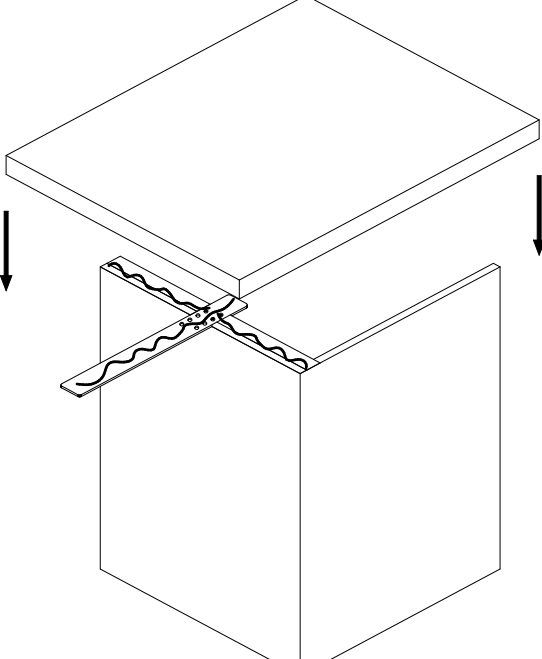
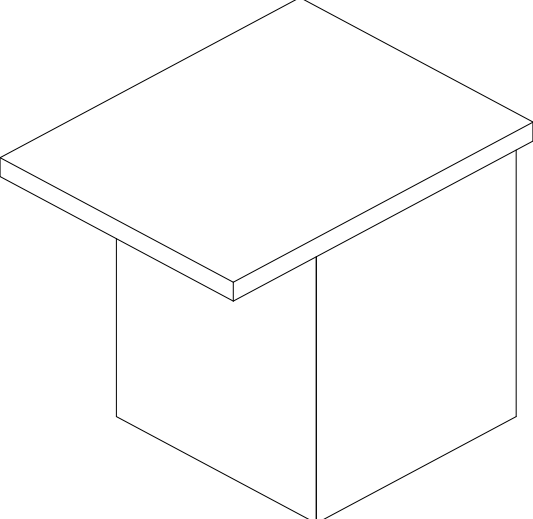


Maximum Spacing: 24" centers

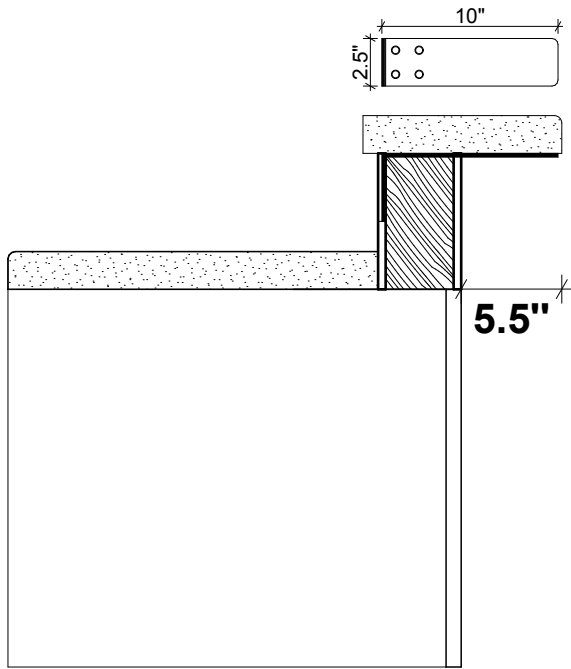


INN
NO
TOPS

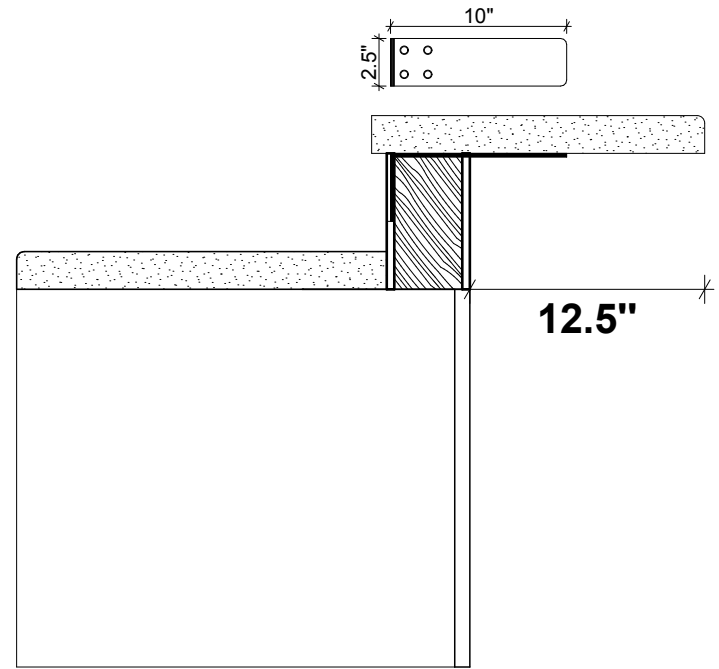
I-Brace 20

TOOLS and MATERIALS	1 ATTACH 2x4 TO CABINET PANEL TO INCREASE ITS STRENGTH	2 SECURE 2X4 WITH SCREWS	3 NOTCH WOOD 3/16" DEEP, 2.5" WIDE
 <p>OR OR</p>			
			
			
4	5 PLACE SILICONE ON I-BRACE AND CABINET		6 SET STONE IN PLACE AND CHECK FOR LEVEL
			
			INNOLOPS
			I-Brace 20

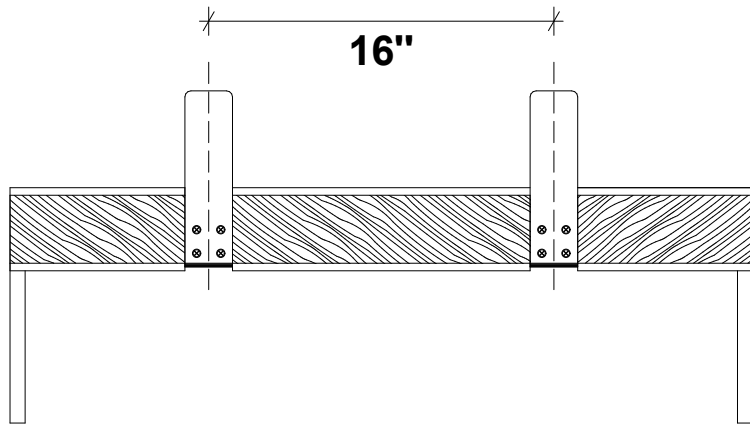
Minimum Overhang: 5.5"



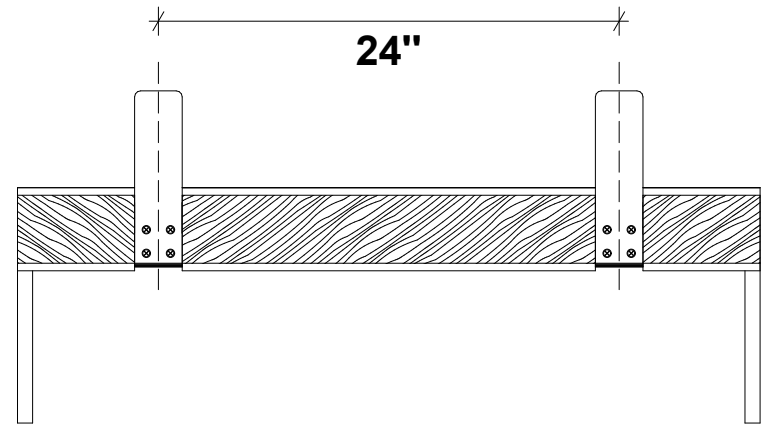
Maximum Overhang: 12.5"



Recommended Spacing: 16" centers

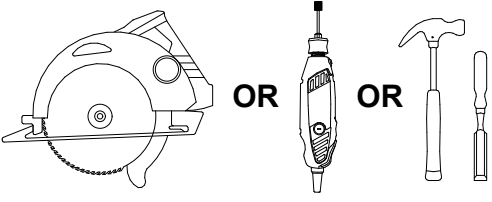
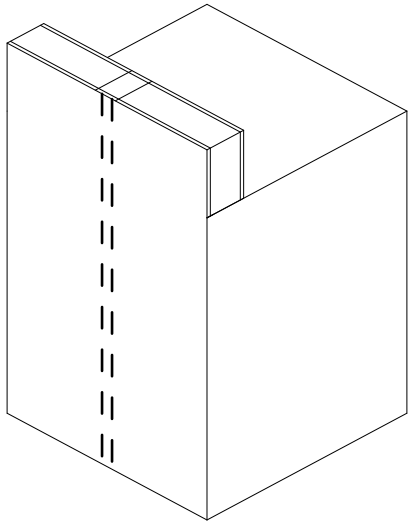
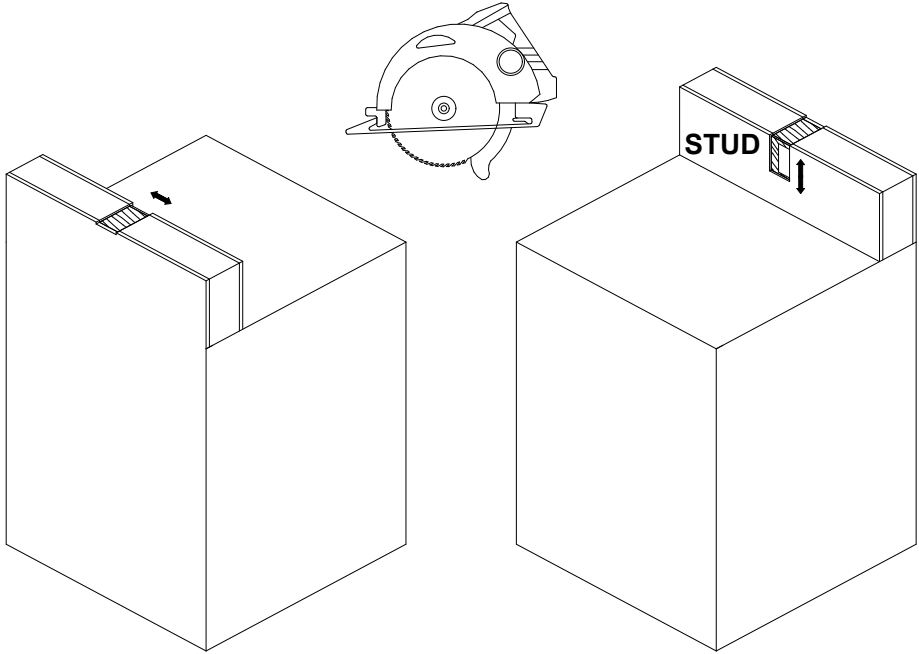

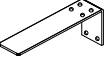
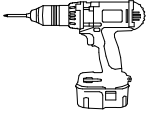

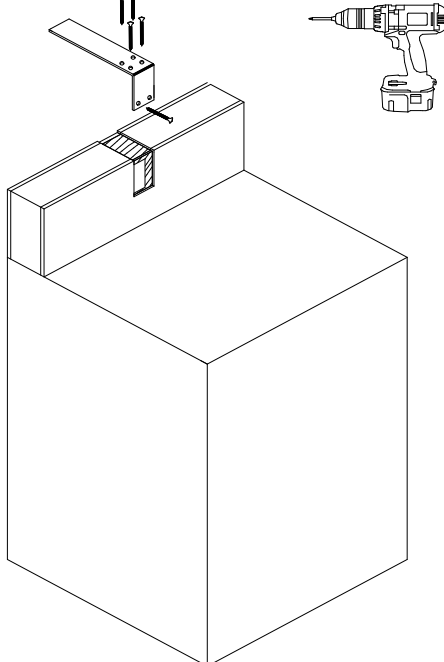
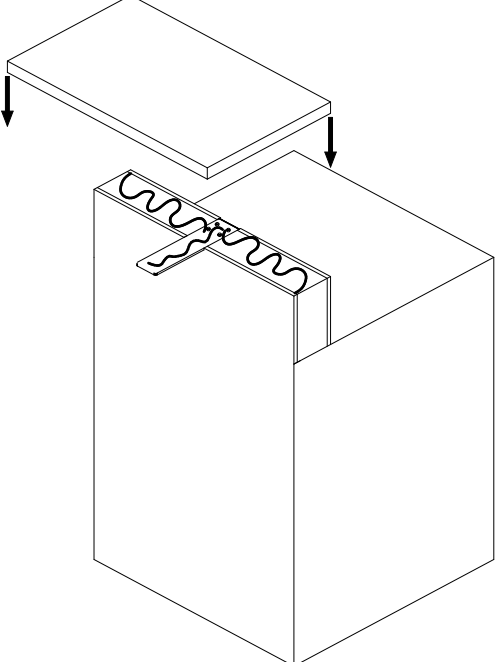
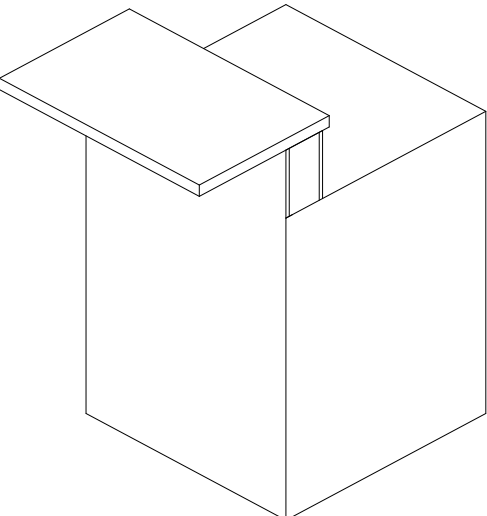


Maximum Spacing: 24" centers

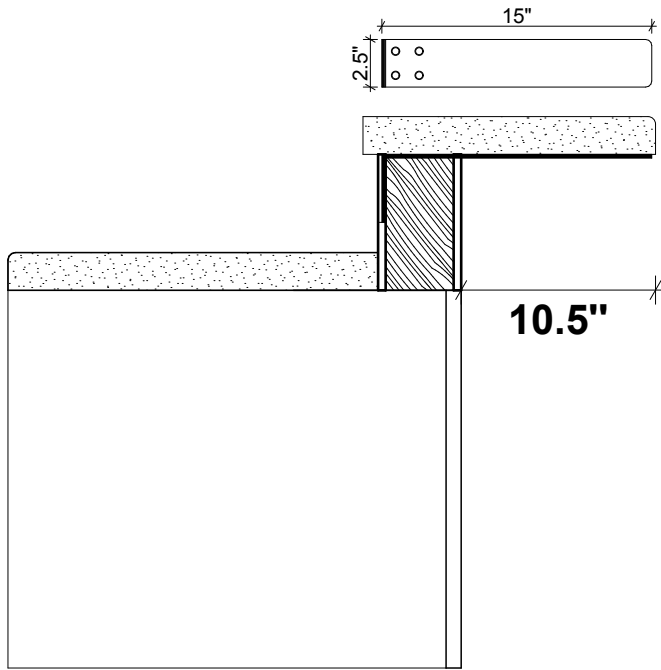


INNOTOPS

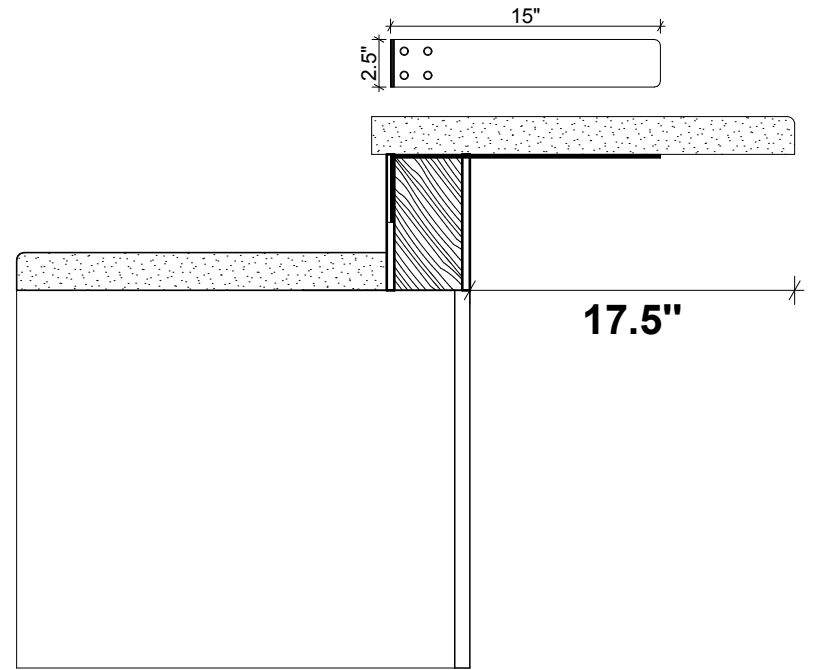
L-Brace 10

<p>TOOLS and MATERIALS</p>	<p>1 IDENTIFY STUD AND MARK FOR PLACEMENT</p>	<p>2 NOTCH WOOD 1/4" DEEP, 2.5" WIDE. NOTCH DRYWALL 2.5" WIDE AND 3.5" DOWN</p>
 <p>OR OR</p>		 <p>STUD</p>
 <p>SILICONE</p>		
	 <p>5 x 2"</p>	
<p>3 SECURE L-BRACE WITH 4 SCREWS AND 1 SCREW INTO THE VERTICAL STUD</p>	<p>4 PLACE SILICONE ON L-BRACE AND HALF-WALL</p>	<p>5 SET STONE IN PLACE AND CHECK FOR LEVEL</p>
	 <p>SILICONE</p>	 <p>INNOTOPS</p> <p>L-Brace 10</p>

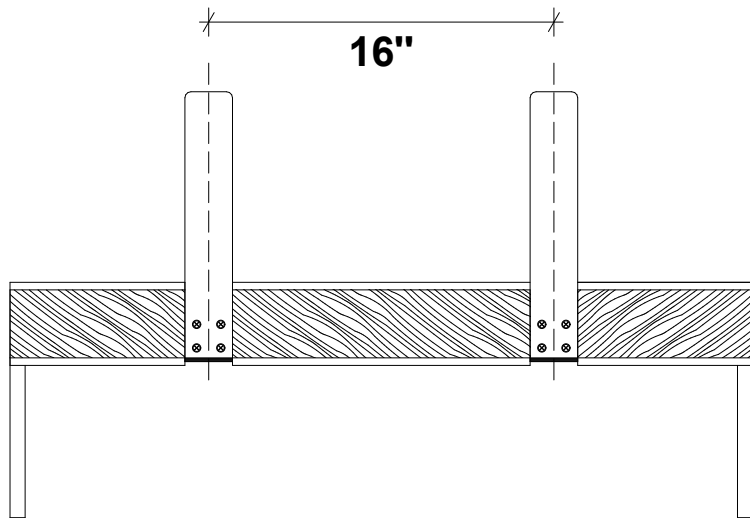
Minimum Overhang: 10.5"



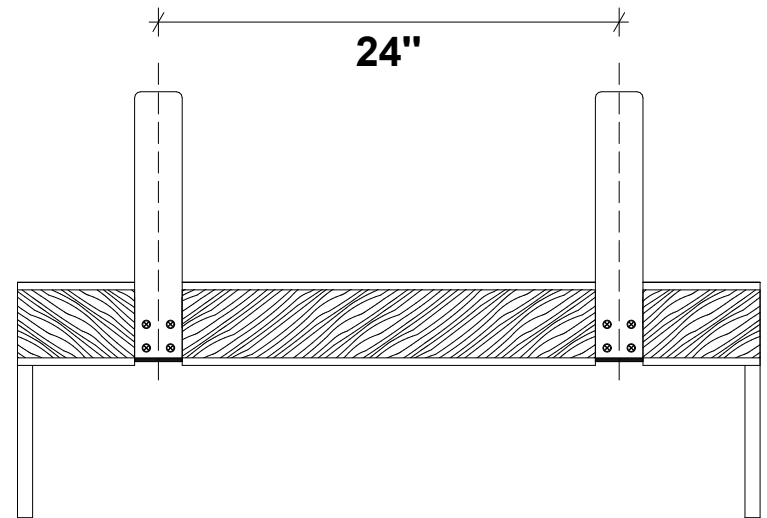
Maximum Overhang: 17.5"



Recommended Spacing: 16" centers

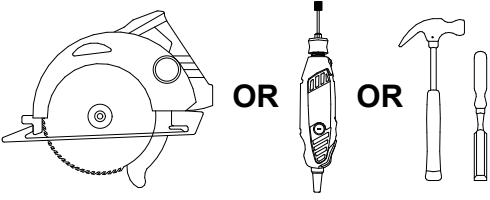
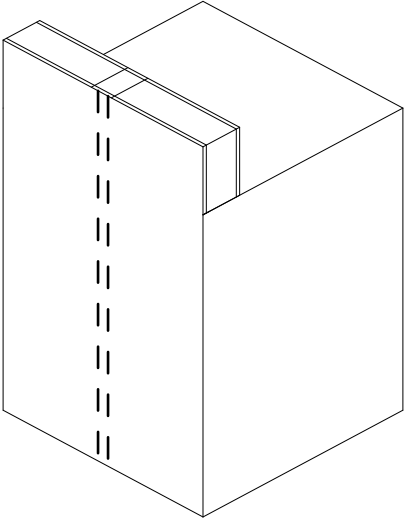
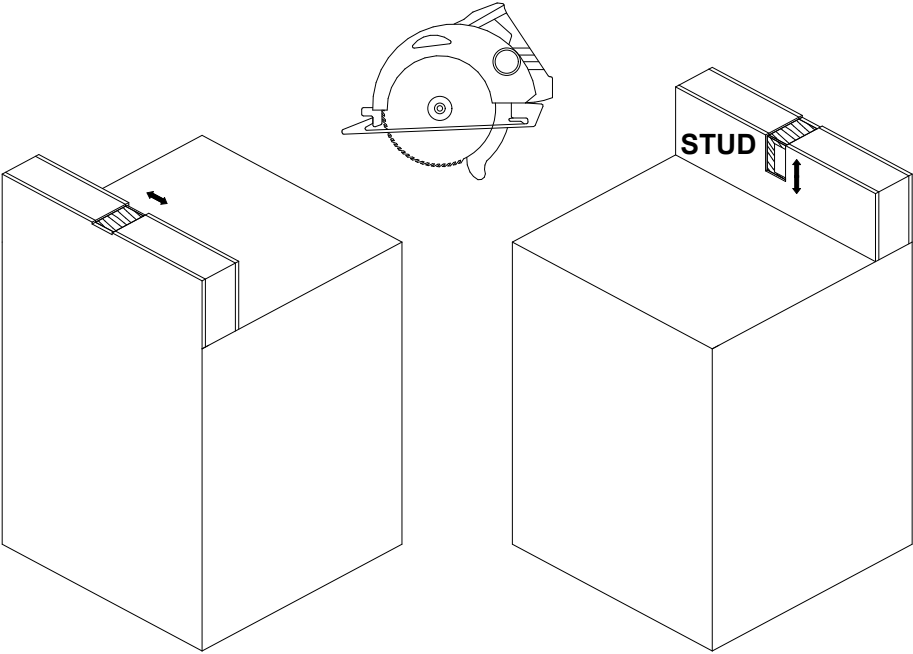

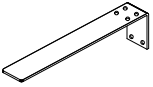
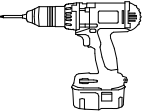

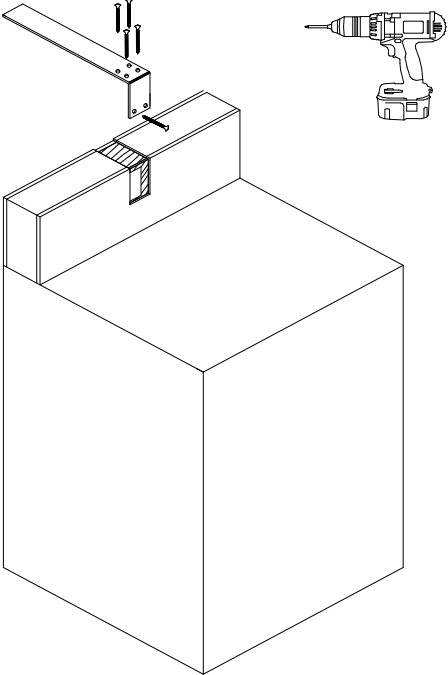
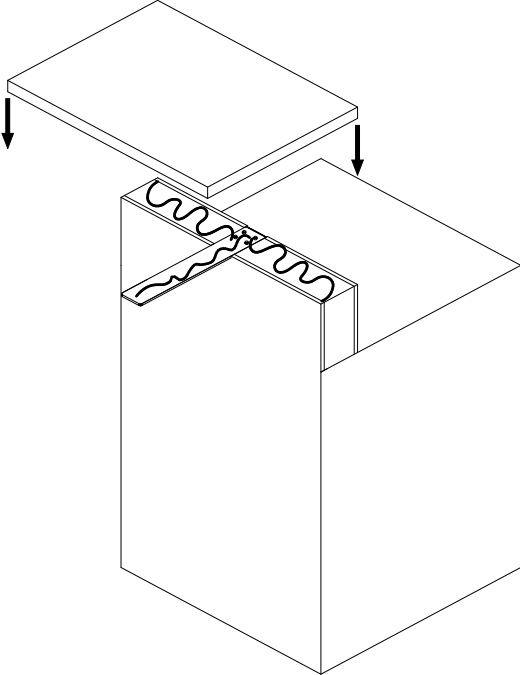
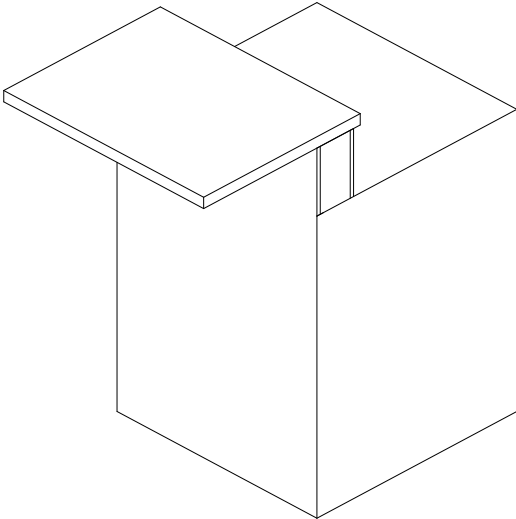


Maximum Spacing: 24" centers

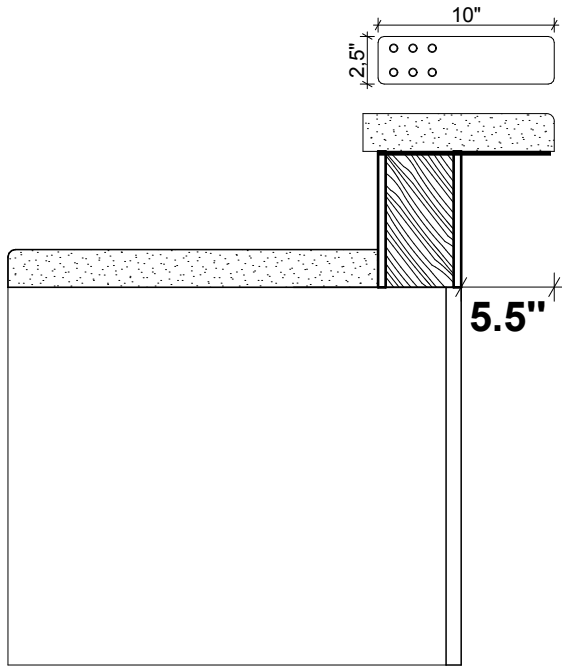


INNOTOPS

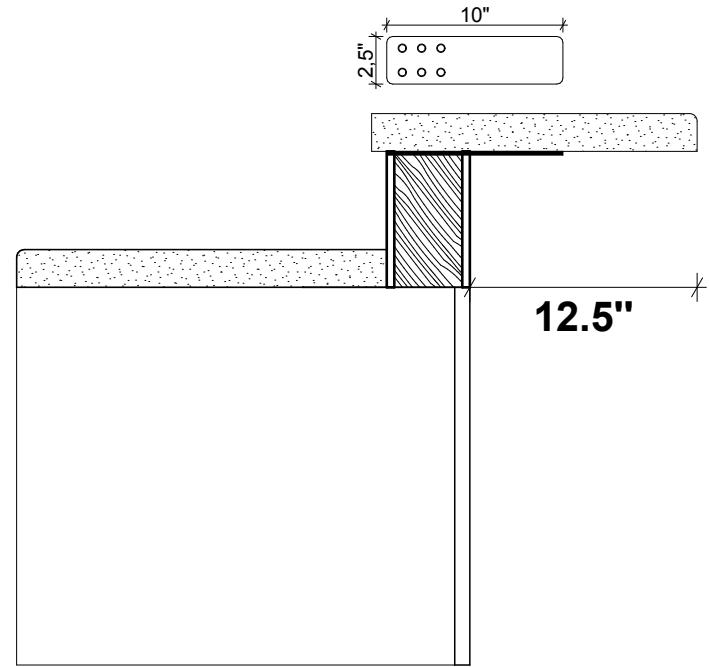
L-Brace 15

<p>TOOLS and MATERIALS</p>	<p>1 IDENTIFY STUD AND MARK FOR PLACEMENT</p>	<p>2 NOTCH WOOD 1/4" DEEP, 2.5" WIDE. NOTCH DRYWALL 2.5" WIDE AND 3.5" DOWN</p>
 <p>OR OR</p>		 <p>STUD</p>
 <p>SILICONE</p>		
	 <p>5 x 2"</p>	
<p>3 SECURE L-BRACE WITH 4 SCREWS AND 1 SCREW INTO THE VERTICAL STUD</p>	<p>4 PLACE SILICONE ON L-BRACE AND HALF-WALL</p>	<p>5 SET STONE IN PLACE AND CHECK FOR LEVEL</p>
	 <p>SILICONE</p>	 <p>INNOTOPS</p> <p>L-Brace 15</p>

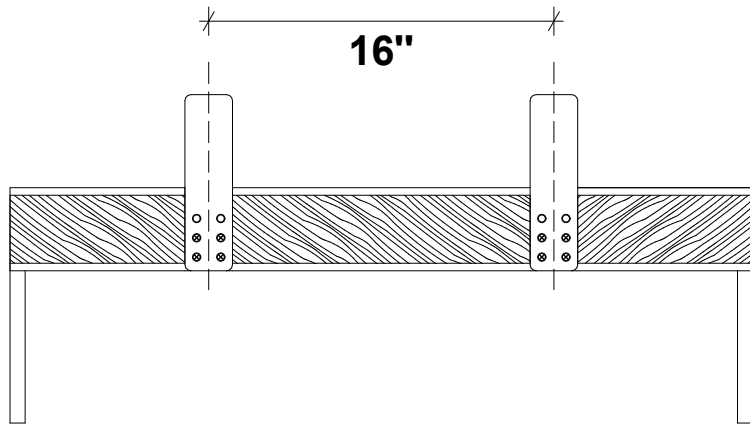
Minimum Overhang: 5.5"



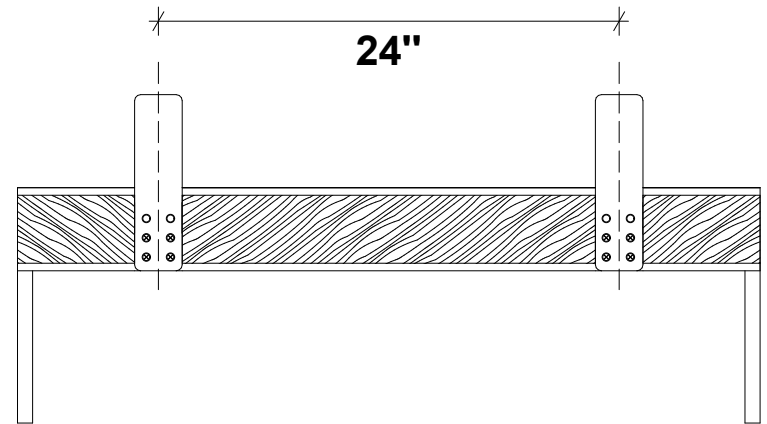
Maximum Overhang: 12.5"



Recommended Spacing: 16" centers

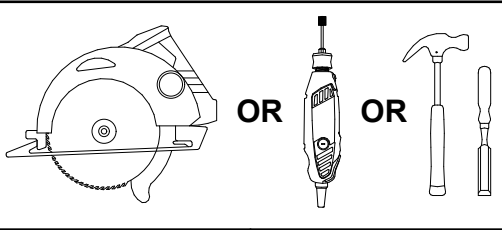
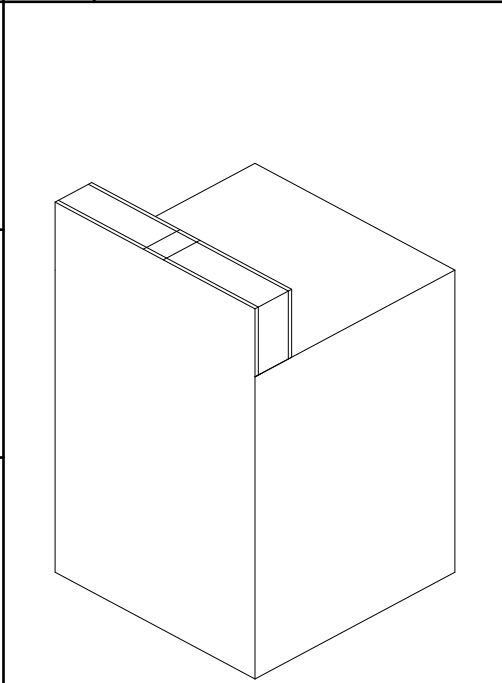
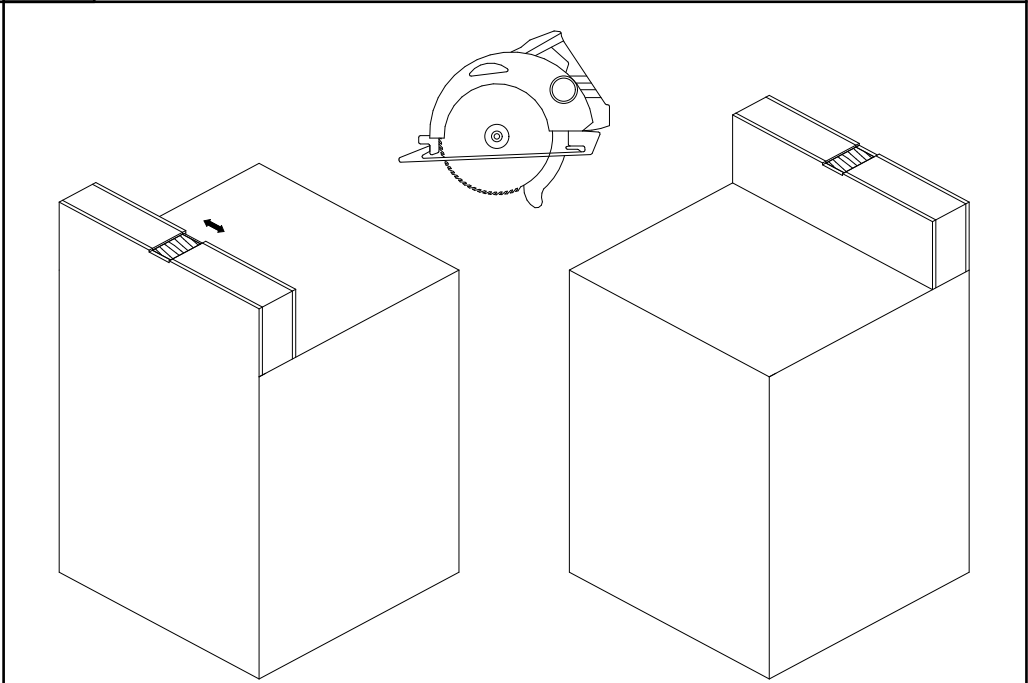
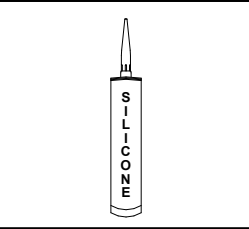
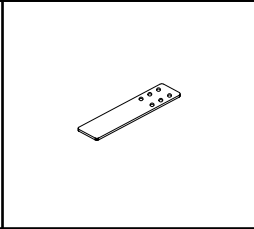
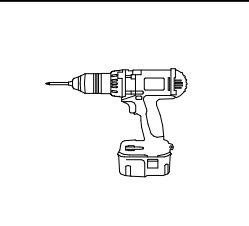
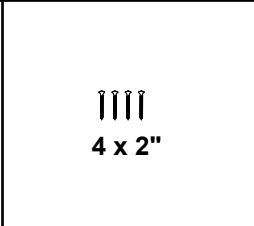
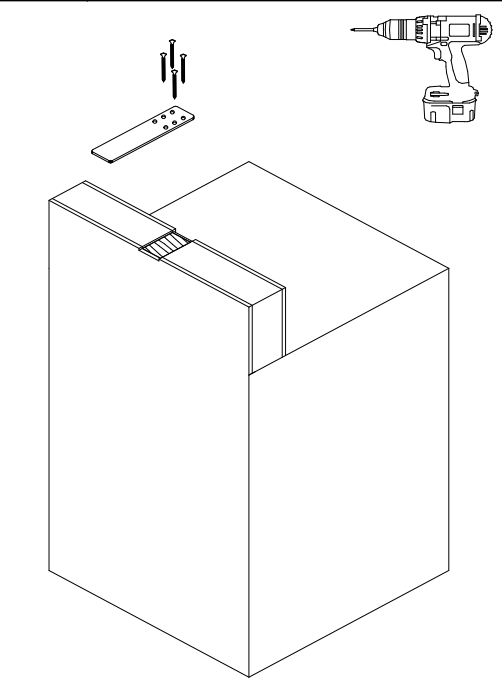
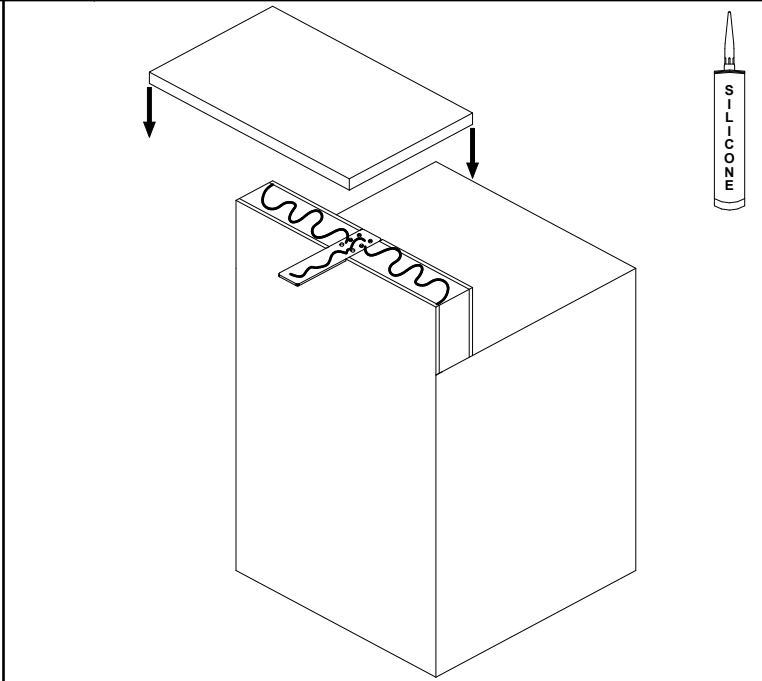
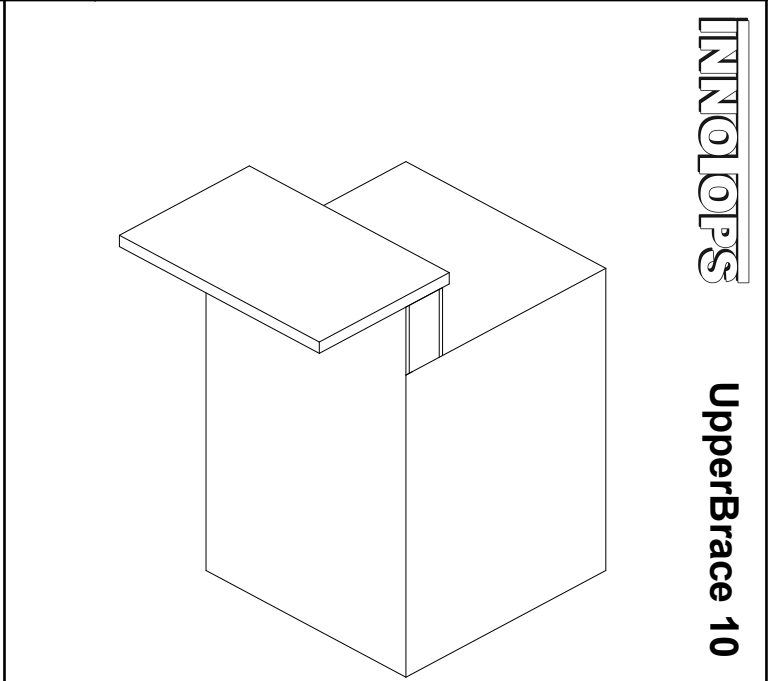


Maximum Spacing: 24" centers



INNOTOPS

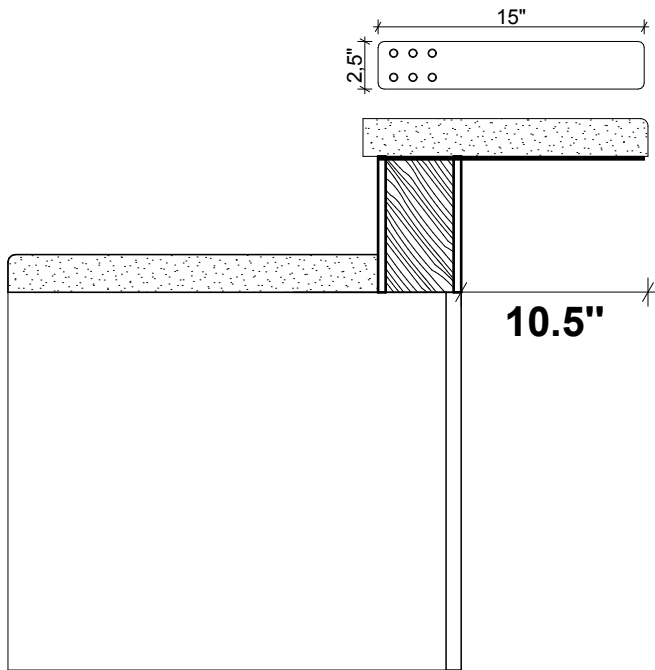
UpperBrace 10

<p>TOOLS and MATERIALS</p>	<p>1 MARK FOR PLACEMENT</p>	<p>2 NOTCH WOOD 1/4" DEEP AND 2.5" WIDE</p>
 <p>OR OR</p>		
 <p>SILICONE</p>		
	 <p>4 x 2"</p>	
<p>3 SECURE UPPERBRACE WITH 4 SCREWS</p>	<p>4 PLACE SILICONE ON UPPERBRACE AND HALF-WALL</p>	<p>5 SET STONE IN PLACE AND CHECK FOR LEVEL</p>
	 <p>SILICONE</p>	

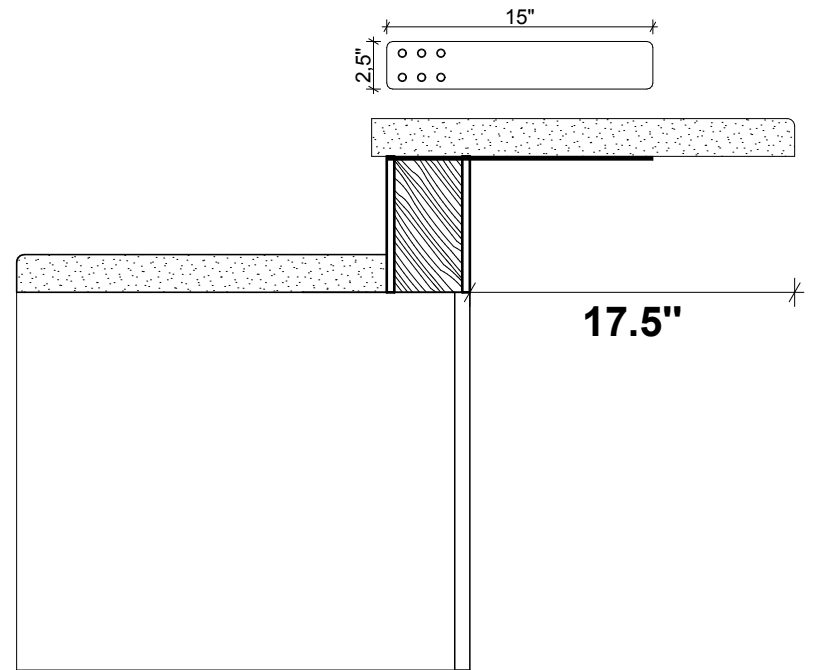
INNOLOPS

UpperBrace 10

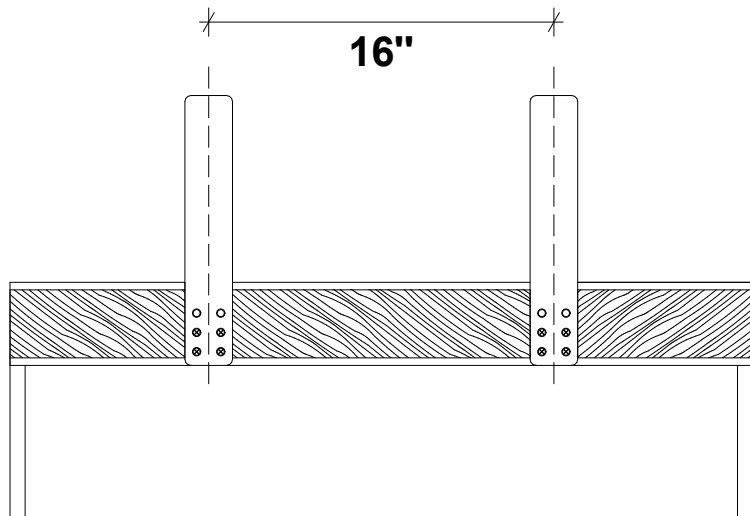
Minimum Overhang: 10.5"



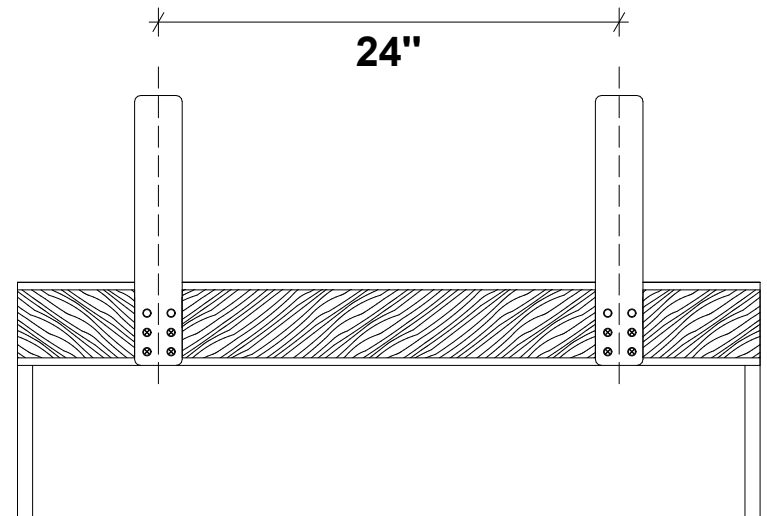
Maximum Overhang: 17.5"



Recommended Spacing: 16" centers

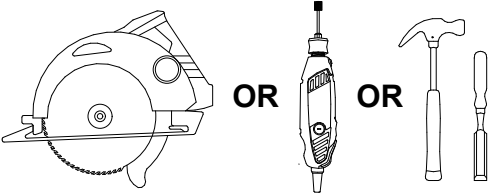
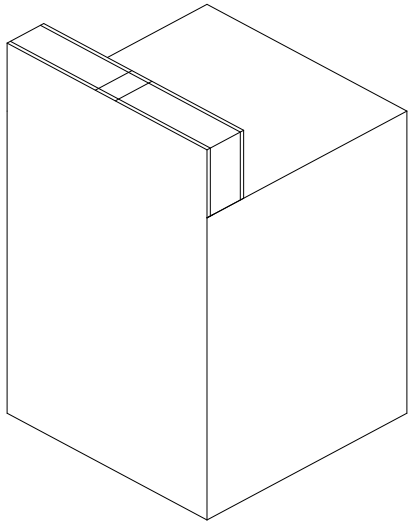
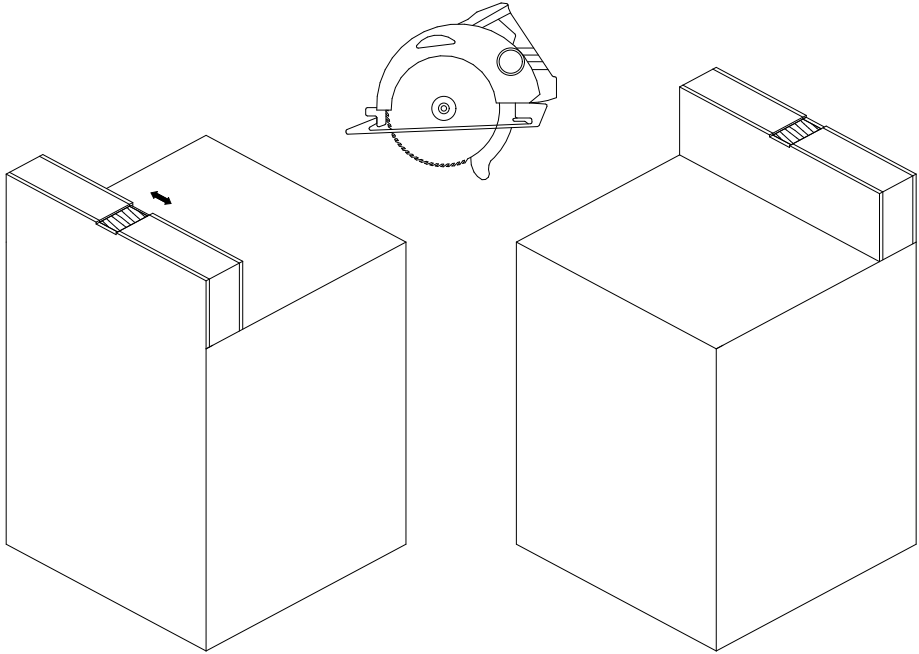

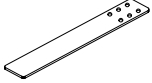
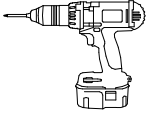

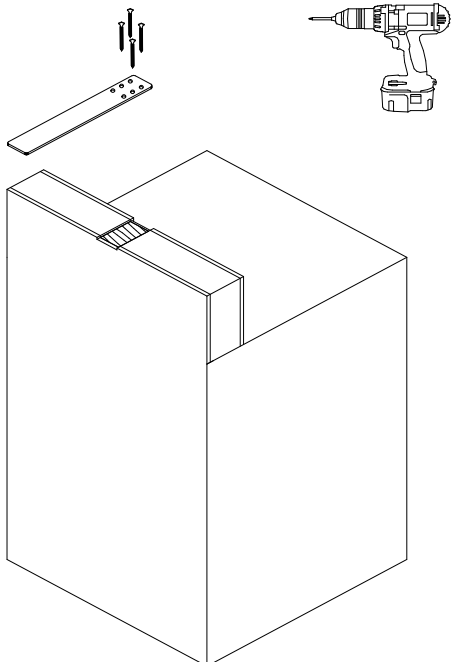
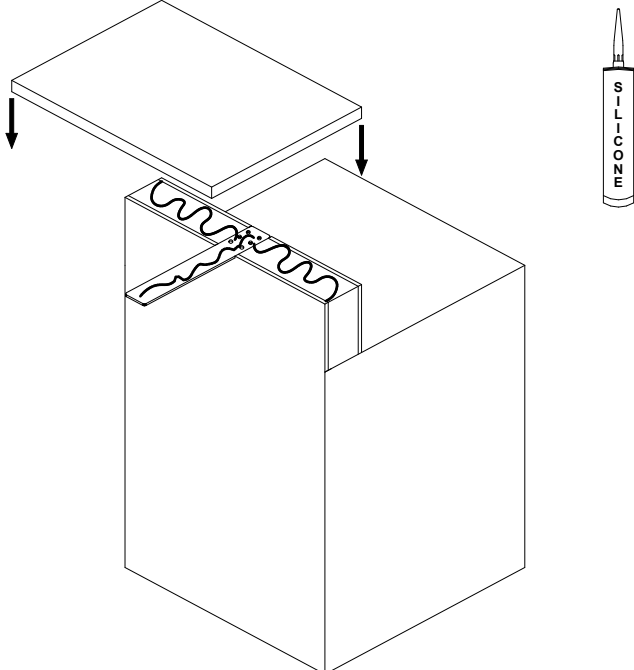
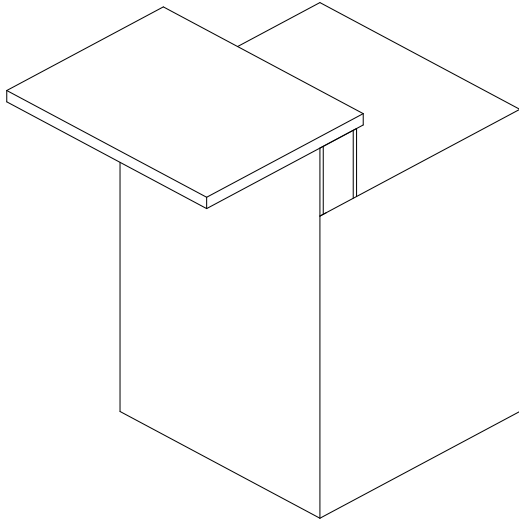


Maximum Spacing: 24" centers



INNOTOPS

UpperBrace 15

<p>TOOLS and MATERIALS</p>	<p>1 MARK FOR PLACEMENT</p>	<p>2 NOTCH WOOD 1/4" DEEP AND 2.5" WIDE</p>
 <p>OR OR</p>		
 <p>SILICONE</p>		
	 <p>4 x 2"</p>	
<p>3 SECURE UPPERBRACE WITH 4 SCREWS</p>	<p>4 PLACE SILICONE ON UPPERBRACE AND HALF-WALL</p>	<p>5 SET STONE IN PLACE AND CHECK FOR LEVEL</p>
	 <p>SILICONE</p>	

INNOLOPS

UpperBrace 15